

MANUAL ELEVATING STAKE GRILL ELEVGRILL

USER MANUAL

SB
CHURRASQUEIRAS

881, Assis Brasil street
Bento Gonçalves city
Rio Grande do Sul / Brazil
Telephone +55 54 3701.2154
english.sbchurrasqueiras.com.br

PRESENTATION

Congratulations on your recent acquisition of Elevgrill, manufactured in Brazil by SB Automação Doméstica Eireli.

Elevgrill features patented characteristics that offer exclusivity to SB Churrasqueiras' customers.

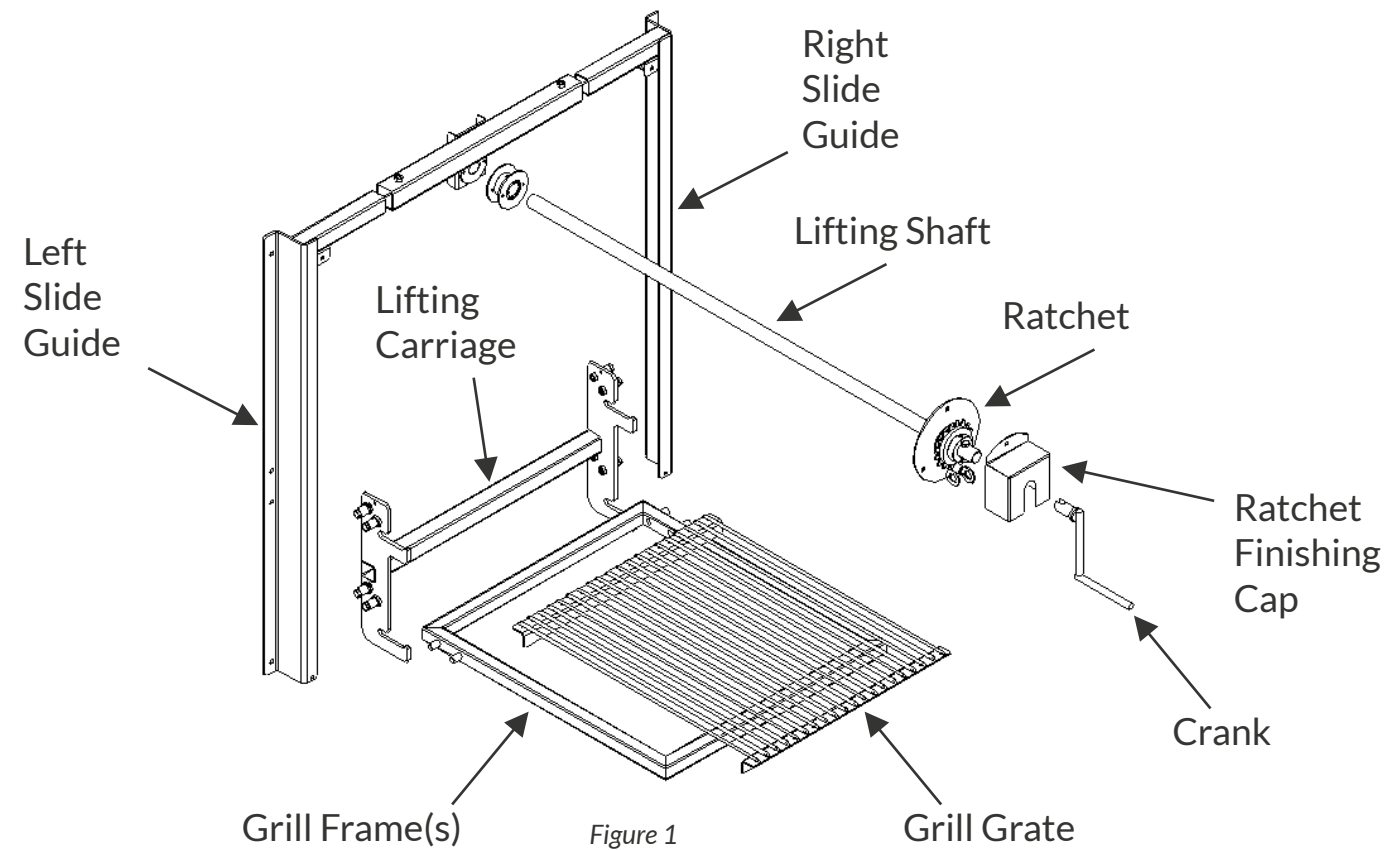
SB Churrasqueiras offers a complete line of rotating grills for both residential and commercial use, as well as an extensive range of essential accessories to enhance your culinary experience.

Additionally, SB provides special projects tailored to each client's specific needs, utilizing advanced technologies such as laser cutting, resulting in products of excellent quality and finish.

We are committed to ensuring that your experience with our products is unique and rewarding.

INSTALLATION

1. Your Elevgrill is composed of Left and Right Slide Guides, Lifting Shaft, Ratchet, Crank, Ratchet Finishing Cap, Grill(s), Grill Frame(s), and Lifting Carriage, identified in Figure 1 below.



2. For the installation of the equipment, the grill must have a rear wall with a 5cm thickness (10cm if it includes a Rotating Grill) level with the front wall of the masonry, which will serve as support, as shown in Figure 2.

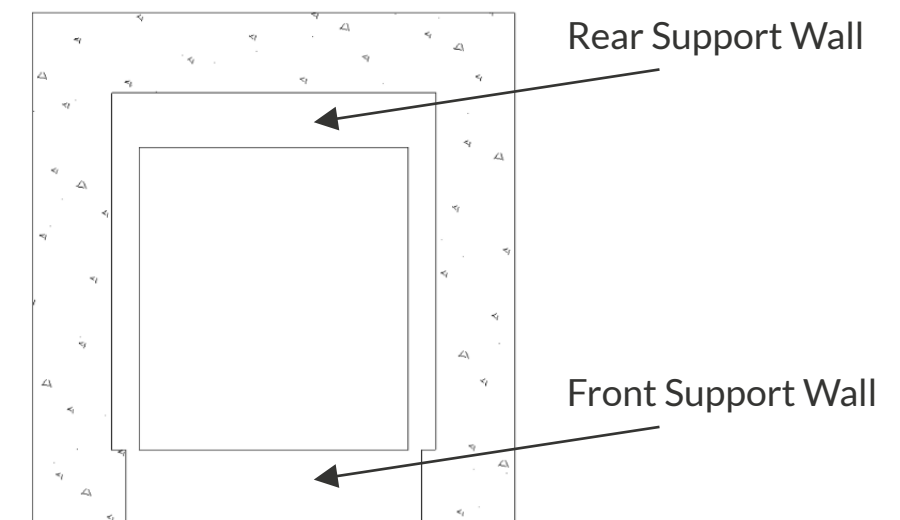


Figure 2 (upper view)

3. With this wall ready, follow the steps on the following pages.

Attention, the steps for installing the grill in conjunction with a rotating grill are slightly different from the installation of a grill without a rotating grill. Both procedures will be explained in the following steps.

a) If you are installing your grill in conjunction with an SB Rotating Grill, first place the Rear Structure of the grill on the rear wall and, with the help of a level, mark the center of the holes on the masonry. Remove the Rear Structure and make the four holes on the side using a $\text{\O}6\text{mm}$ (concrete) Wídea drill bit.

Then, insert the included nylon anchors, position the Rear Structure in place, connect the wires according to the type of controller (use high-temperature wire), level the Rear Structure, and secure it with the screws and washers, as shown in Figure 3. Be careful to avoid damaging the electrical wiring during installation.

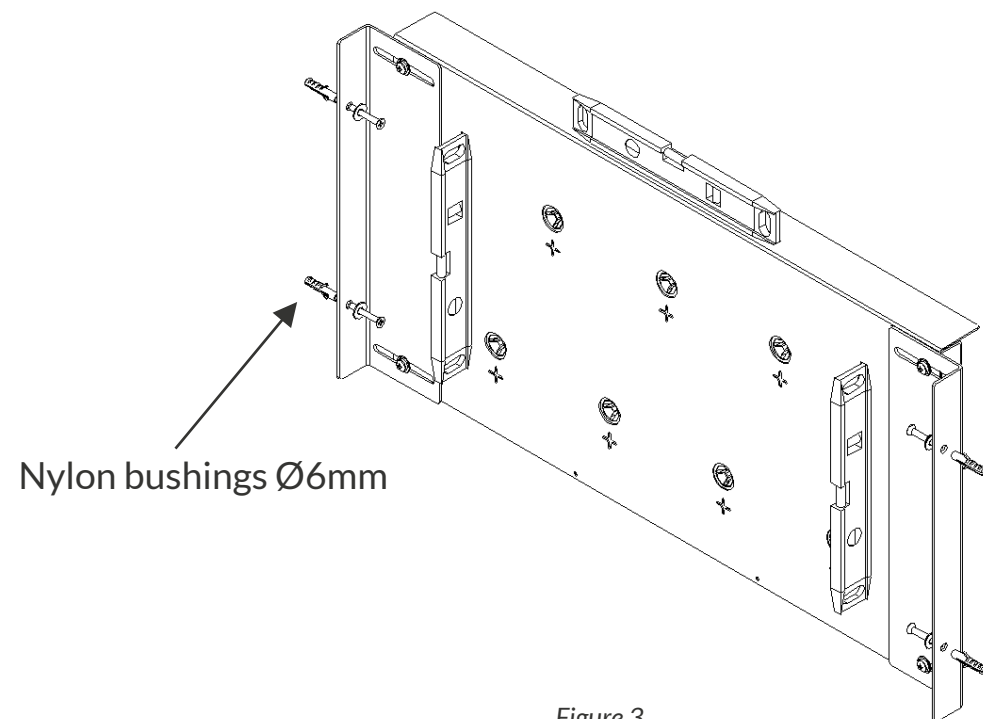


Figure 3

b) If you are only installing the Elevgrill Elevating Grill, after pre-assembling the structure, place it on the rear wall. With the help of a ruler-type level, level the equipment, marking the center of the holes on the masonry. Remove the Rear Structure and drill the holes in the rear wall using a $\text{\O}6\text{mm}$ (Concrete) Wídea drill bit. Insert the included nylon anchors, position the equipment again, level it, and secure it with the screws and washers, as shown in Figure 4 beside:

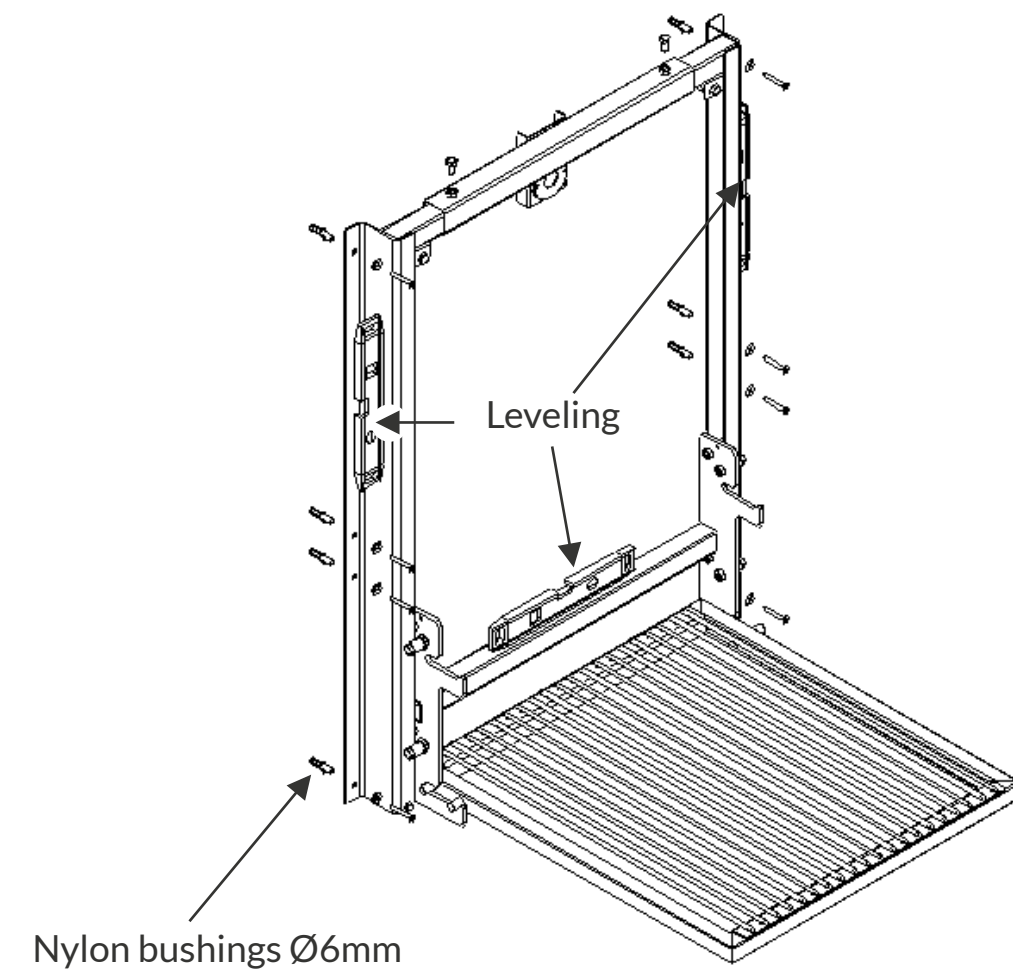


Figure 4

c) When the equipment is mounted in conjunction with the Rotating Grill (centralized or lateral), your equipment should be fixed in the Rotating Grill's drilling as shown in Figure 5.

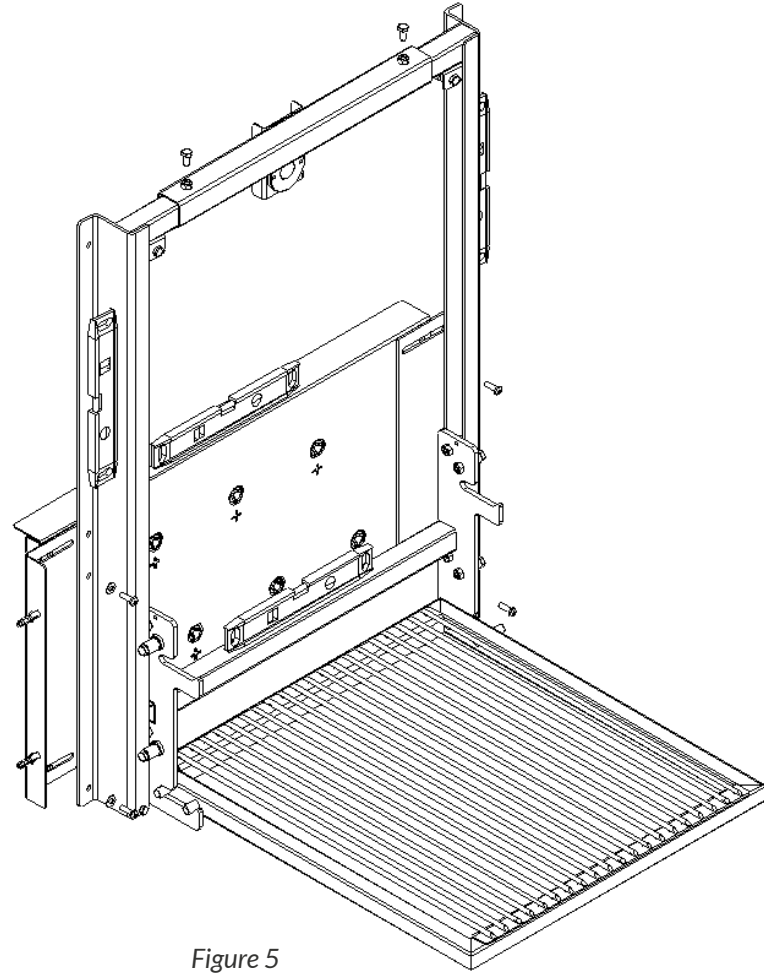


Figure 5

d) When installing the Front Support, responsible for holding the skewers, position it so that it is aligned and parallel with the rear skewer slots, keeping it centered on the front wall of your grill to avoid misalignment of the skewers. See Figure 6 beside.

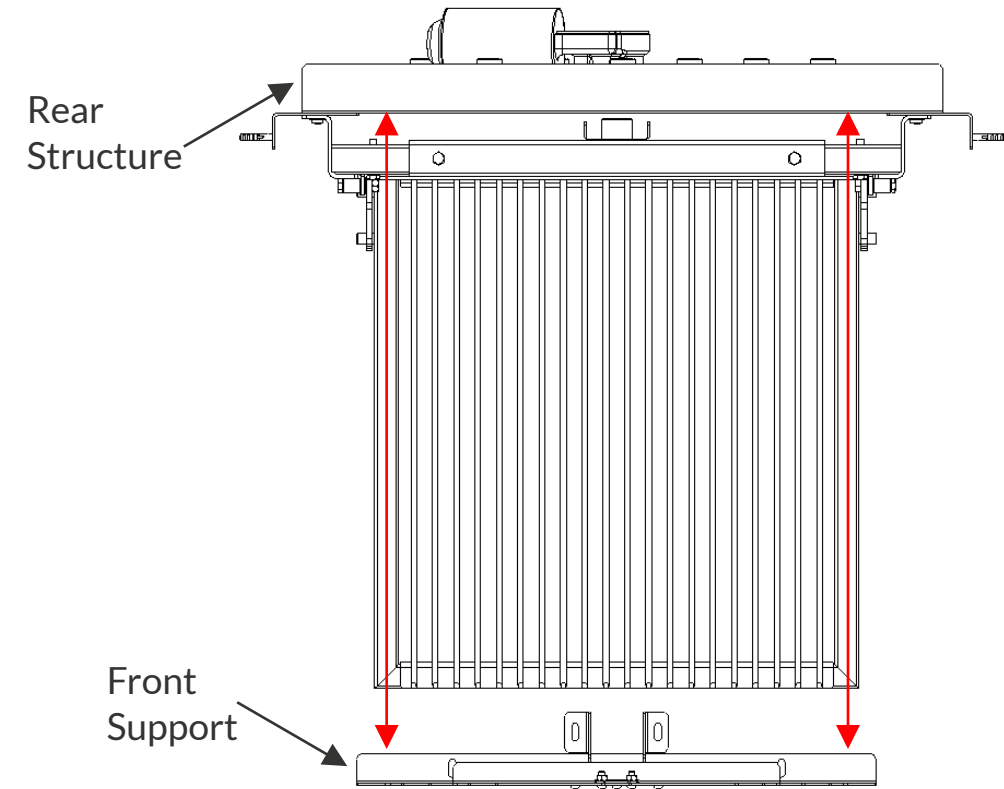


Figure 6 (upper view)

e) Mark the center of the Front Support and drill using a $\text{Ø}6\text{mm}$ (Concrete) Wídea drill bit. Secure it with the included anchors and screws, as shown in Figure 7.

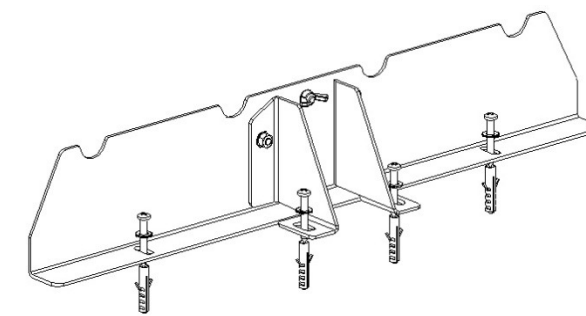


Figure 7

f) After securing the parts, adjust the Skewer Pulley. The Pulley should be loosened and its channel positioned in the center of the Front Support (Figure 8). Then, retighten the screw that secures the Pulley to the skewer, ensuring it is firm to prevent the skewer from dislodging from the Rear Structure and falling into the fire.

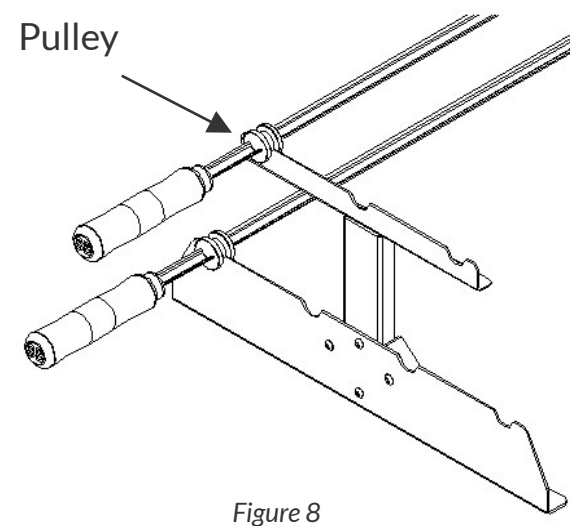


Figure 8

MOVING PARTS

The moving parts of your grill are located at the lower front part of the product. They can be easily removed to facilitate cleaning of the grill, as well as for charcoal replenishment and ash removal.

To remove the moving parts, first remove the skewers from the grill, then use your hands to loosen the Wing Nut and move the movable part of the Front Support vertically. See Figure 9.

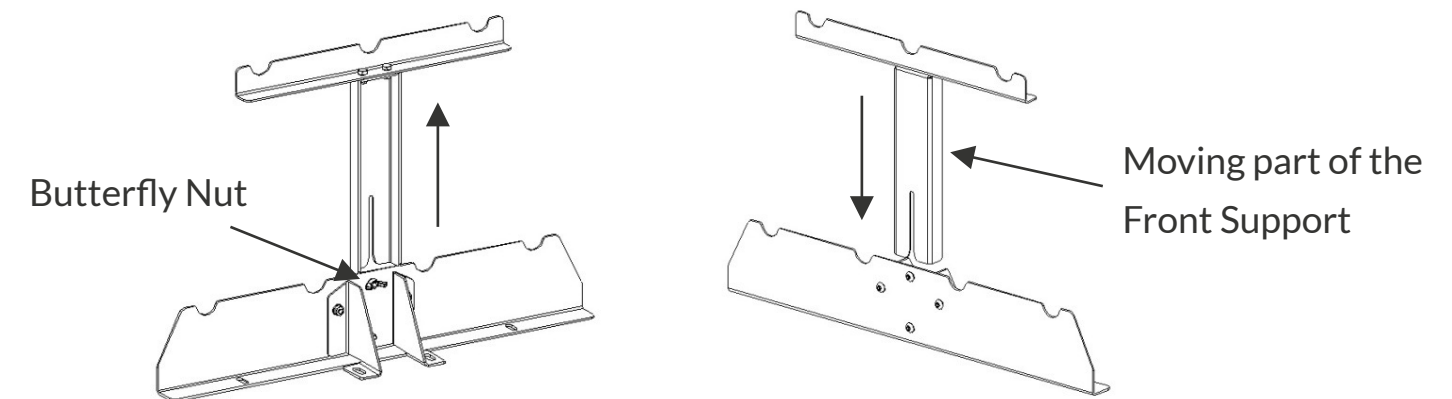


Figure 9

Before handling the Movable Devices of your grill, make sure that the skewers are not positioned over them to avoid damaging the supports or twisting the skewer.

HOW TO IMMOBILIZE SKEWERS

Your Rotating Grill has small grooves located in the Rear Structure, just below the drive shaft (Figure 10), which allow any skewer to remain stationary while the others rotate.

To keep a skewer stationary, remove it from the drive shaft that keeps it spinning and position the skewer in the cross groove located just below the drive shaft.

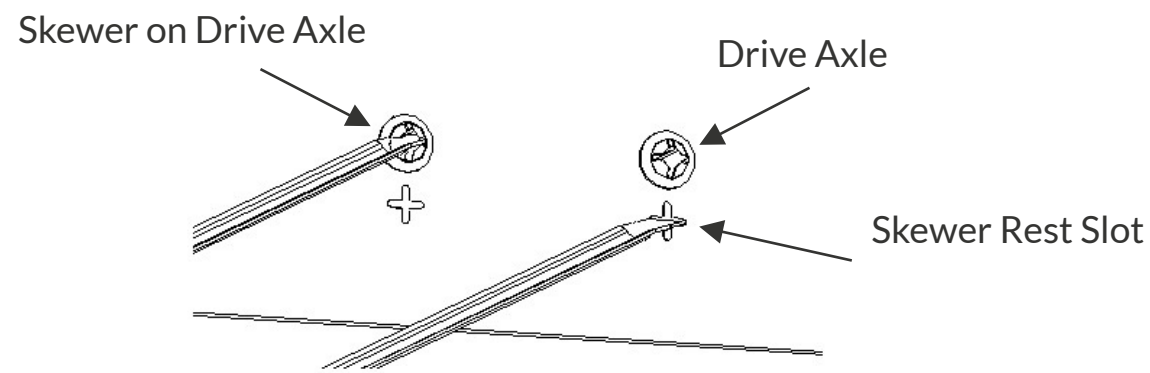


Figure 10

HANDLING SKEWERS

Your Elegance Grill allows you to move skewers between the upper and lower levels of the Front Support without needing to remove them from the inside of the grill (Figure 11), preventing grease drips on the floor, as occurs with conventional grills.

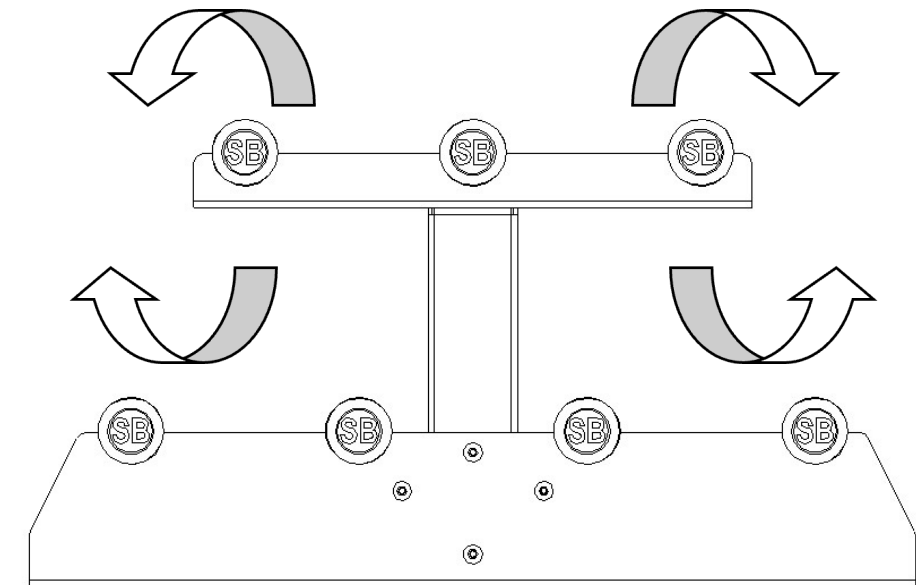


Figure 11

DRILLING FOR LIFTING SHAFT

a) Using a level, mark the center of the hole (Ø3.5cm) that must be EXACTLY COINCIDENT with the center where the shaft connects to the bronze bushing fixed in your equipment.

b) With the help of a professional impact drill (without using the hammer function) and a Ø3.5cm diamond concrete hole saw, drill the hole in the front wall above the grill's mouth (masonry) as shown in Figure 12 below. This process requires great care, gentle movements, and cooling of the hole saw with water or coolant to prolong its lifespan.

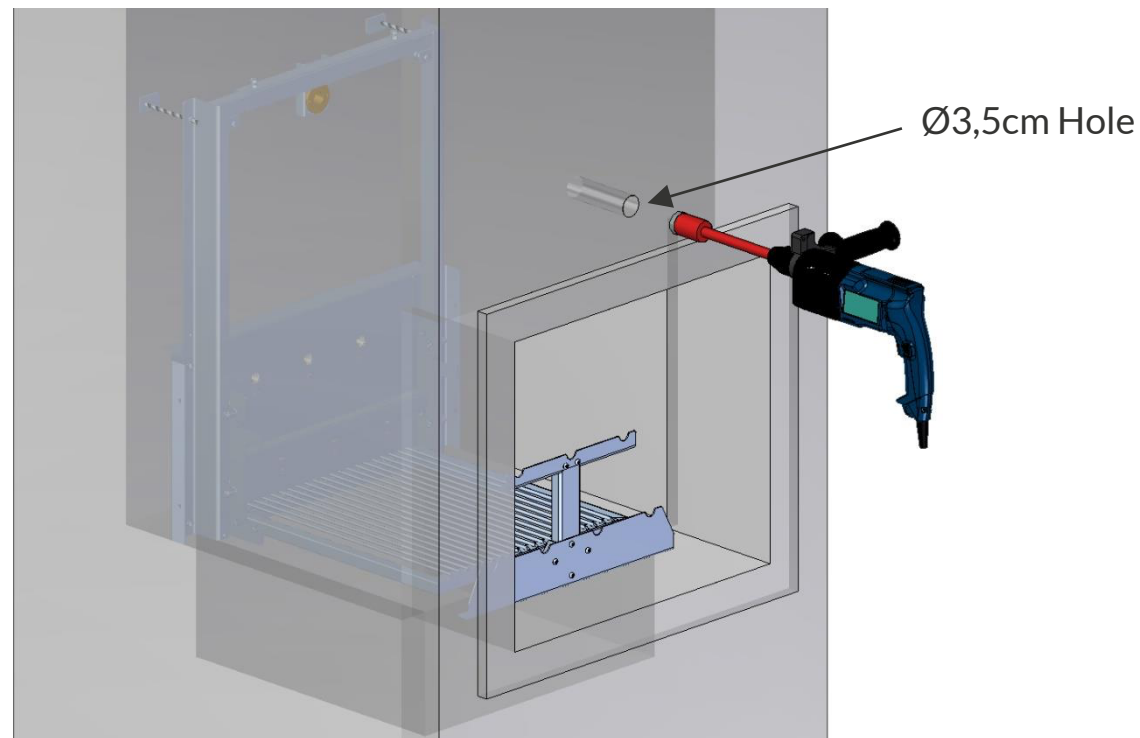


Figure 12

c) Install the Lifting Shaft, first passing it through the Ratchet and then through the Steel Cable Traction Pulley. Fix the Ratchet, keeping the shaft aligned so it rotates freely as shown in Figures 13 and 14.

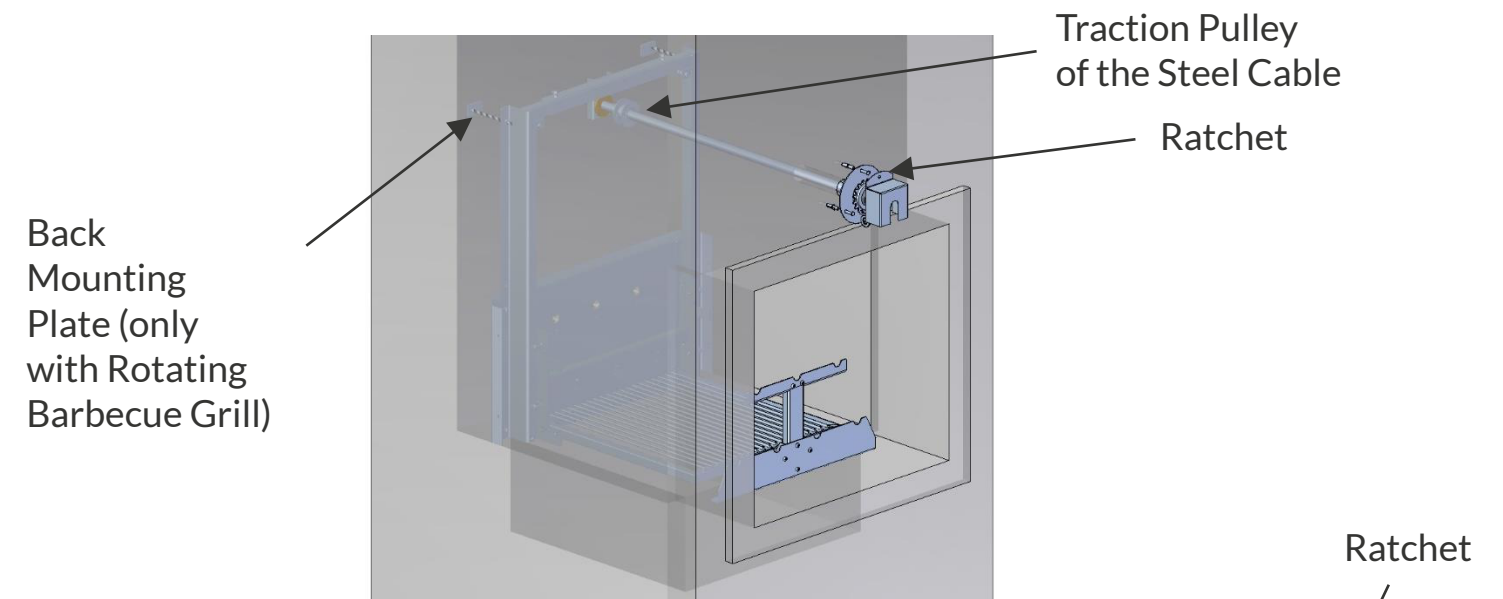


Figure 13

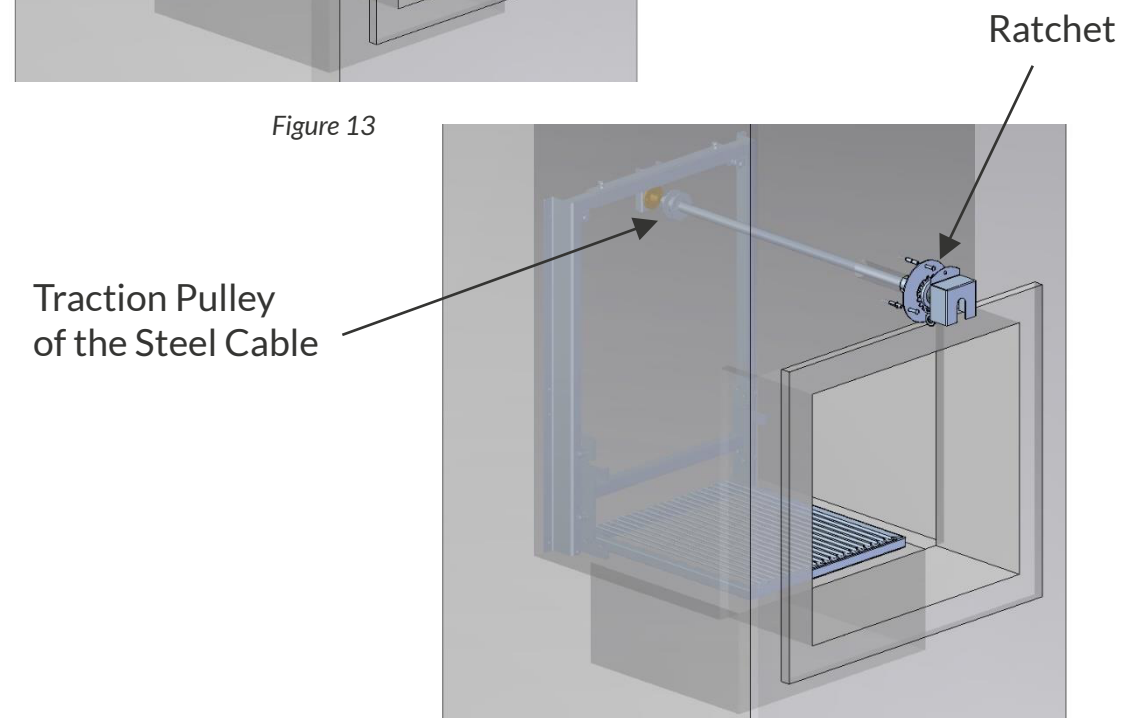


Figure 14

INSTALLATION OF STEEL CABLES

a) One of the most important points is the installation of the Steel Cables responsible for the up and down movement of the grill(s) in your equipment. They should be passed with the fixed end through the hole in the Traction Pulley (Figure 15).

b) After leveling and passing the cable through the Lifting Carriage, level and secure the screw at the ends.

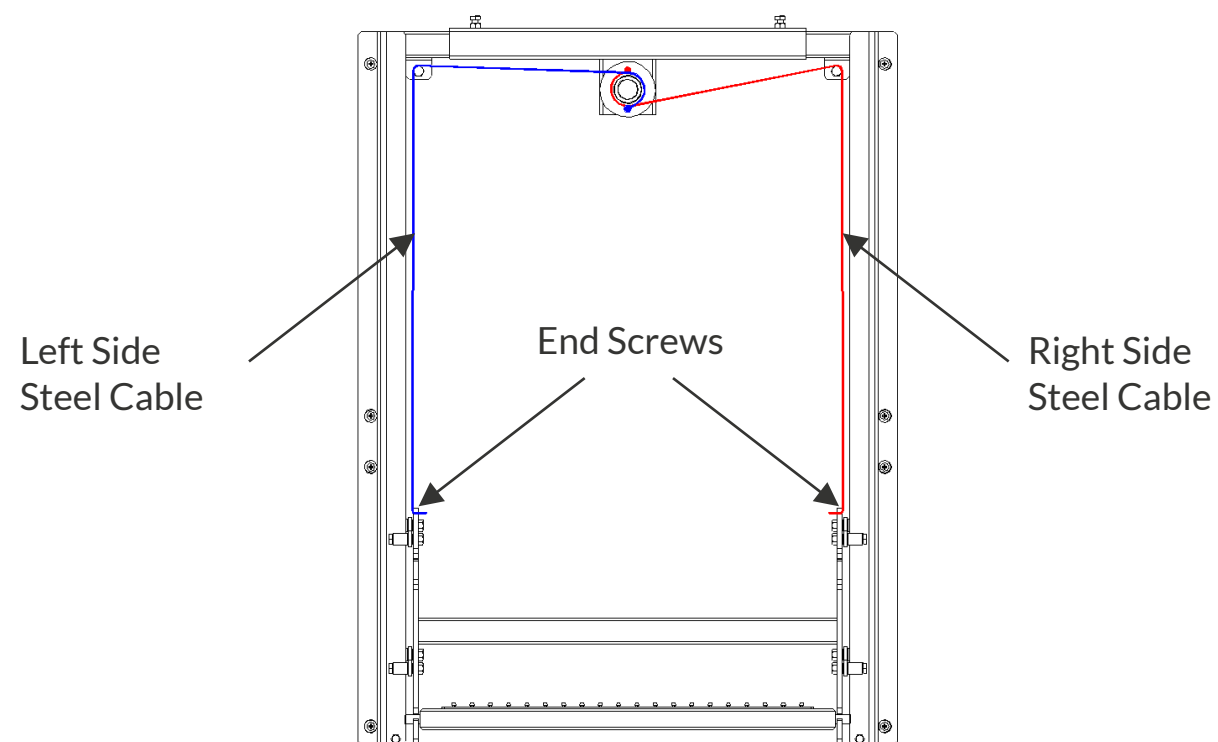


Figure 15

SB CHURRASQUEIRAS

881, Assis Brasil street

Bento Gonçalves city

Rio Grande do Sul / Brazil

Telephone +55 54 3701.2154

english.sbchurrasqueiras.com.br

CLEANING AND MAINTENANCE

› Clean your SB Grill only with a clean, semi-damp cloth and neutral detergent, or use the stainless steel cleaning product sold by SB Churrasqueiras.

› The cloth should be wiped in the same direction as the brushed stainless steel, avoiding circular motions.

› Never use any type of sponge or steel brush to clean the grill. Do not use chemical or abrasive products, which can permanently damage the appearance and finish of the grill.

› **Use only charcoal for the fire.** Do not burn wood, charcoal bags, or any other material inside the grill.

› Whenever the grill is not in use, disconnect it from the power supply (circuit breaker) to avoid damage caused by power surges (lightning) and power outages.