



## ECOLOGICAL FIREPLACE

### USER MANUAL



881, Assis Brasil street  
Bento Gonçalves city  
Rio Grande do Sul / Brazil  
Telephone +55 54 3701.2154  
[english.sbchurrasqueiras.com.br](http://english.sbchurrasqueiras.com.br)

## PRESENTATION

---

Congratulations on your recent acquisition of an Ecological Fireplace manufactured in Brazil by SB Automação Doméstica Eireli.

This manual contains vital information about the product, its maintenance, the most appropriate usage methods, as well as its features and the benefits it will provide.

SB Churrasqueiras manufactures efficient and durable products, focusing on the sustainability of materials and natural resources.

Additionally, SB provides special projects tailored to each client's specific needs, utilizing advanced technologies such as laser cutting, resulting in products of excellent quality and finish.

We are committed to ensuring that your experience with our products is unique and rewarding.

## **ATTENTION!**

Carefully read the instructions in this Manual before using your Ethanol Fireplace for the first time.

# **1. GENERAL INFORMATION**

---

The burner of your Ethanol Fireplace is made of 304 stainless steel. It features a sliding cover to close the burner opening, controlling the flame and completely extinguishing the fire.

## **1.1 SAFETY MEASURES**

---

Exercise extra caution and care when handling ethanol, as it is a highly flammable liquid.

- › To ignite the burner, we recommend using ethanol 92.8° alcohol.
- › When operating, the burner produces water vapor and carbon dioxide.
- › Never leave the burner operating without supervision.

- › The burner and its parts remain hot while lit; avoid touching it. Wait for the burner to cool down after extinguishing the fire, approximately 30 minutes.
- › Keep flammable materials at least 1 meter away from the burner (including shelves and other furniture). For curtains and fabrics, a safe distance is 2 meters (about 6,5 feet).
- › Burners should not be used inside cabinets made of materials that could propagate flames or suffer damage from fire/heat.
- › Avoid strong drafts in the area where the burner is used, as this can cause sudden movement of the flame, either intensifying or extinguishing it.
- › Handling of this product by children, individuals under the influence of alcohol, drugs, or medications, or those who are not in good mental and physical health is prohibited.
- › Do not smoke while handling the burner. Do not cover the burner or place anything underneath it (paper, clothing, etc.). Do not use the burner as a stove or for any purpose other than its intended use.

## ATTENTION!

Real fire equipment. Maintain a safe distance from the flame. Risk of burns and fire. Keep the equipment out of reach of children or minors without adult supervision.

## 1.2 ENVIRONMENT

The environment must meet the minimum size requirements for each burner to ensure adequate oxygen levels. Since the fire consumes the oxygen in the air, ensure proper ventilation to refresh the air. Make sure there is sufficient air supply to prevent oxygen deprivation. Early signs of oxygen depletion in the environment include sudden fatigue and difficulty concentrating.

Burner Size	Recommended Heating Area (m <sup>2</sup> )*	Reservoir Capacity in Liters*
50cm	40	2
70cm	55	3
90cm	70	4

\*Approximate values (area and capacity).

## 1.3 FLAME DURATION

One liter of alcohol burns for approximately 2 hours (varies depending on the ventilation of the environment).

## ATTENTION!

Use your Fireplace only in spaces appropriate for its size. Risk of suffocation.

## 2. USAGE INSTRUCTIONS

---

Before using your Fireplace, check for any damage caused by transportation and ensure it is complete.

### 2.1 POSITIONING

---

First, ensure that the environment is suitable for your fireplace as described in this Manual, regarding space size and ventilation. Also, check the previously provided safety information regarding safe distances from materials and objects.

### 2.2 HOW TO USE

---

1. Open the burner lid completely using the tool provided with the product, which is intended for controlling the flame and lighting.

2. Fill the burner with the appropriate liquid without exceeding the level. If desired, use a funnel. It is not necessary to fill it to the maximum level. If you plan to use the Fireplace for a short time, reduce the amount of liquid.

› Any liquid spilled outside the burner should be completely removed with a clean, damp absorbent cloth.

› Keep the liquid container at a safe distance. Never leave the container in front of or too close to the burner.

3. Light the burner using the tool provided with the product. Stand at a safe distance while lighting.

› Dip the tip of the tool no more than 3 cm into the burner liquid, and use a lighter to ignite the tip, forming a torch. Insert the flaming tip of the tool into the burner opening.

The liquid will burn slowly at first, creating a small flame. Wait 10 to 15 minutes for the flame and heating to reach optimal levels. Flame adjustment can be made by opening or closing the burner lid with the provided tool.

## 2.3 REFILLING

---

### **ATTENTION!**

Make sure the fire is completely extinguished. Never refuel if there is still a flame. Wait approximately 30 minutes for the burner to cool down.

1. Ensure the fire is completely extinguished.
2. To refill, the burner must cool for at least 30 minutes. Do not add liquid while the burner is still hot, as it could ignite and cause accidents.

## 2.4 FLAME REGULATOR

---

To adjust the flame, slowly close the burner with the tool provided until the desired flame level is reached. Total closure will extinguish the fire. However, we recommend extinguishing the flame by burning out the fuel, keeping the burner clean and dry.

## 2.5 EXTINGUISHING THE FIRE

---

We recommend allowing the fire to extinguish with the complete burning of the liquid to avoid accidents. Ensure that all liquid is burned, and do not leave the burner unattended if there are still flames.

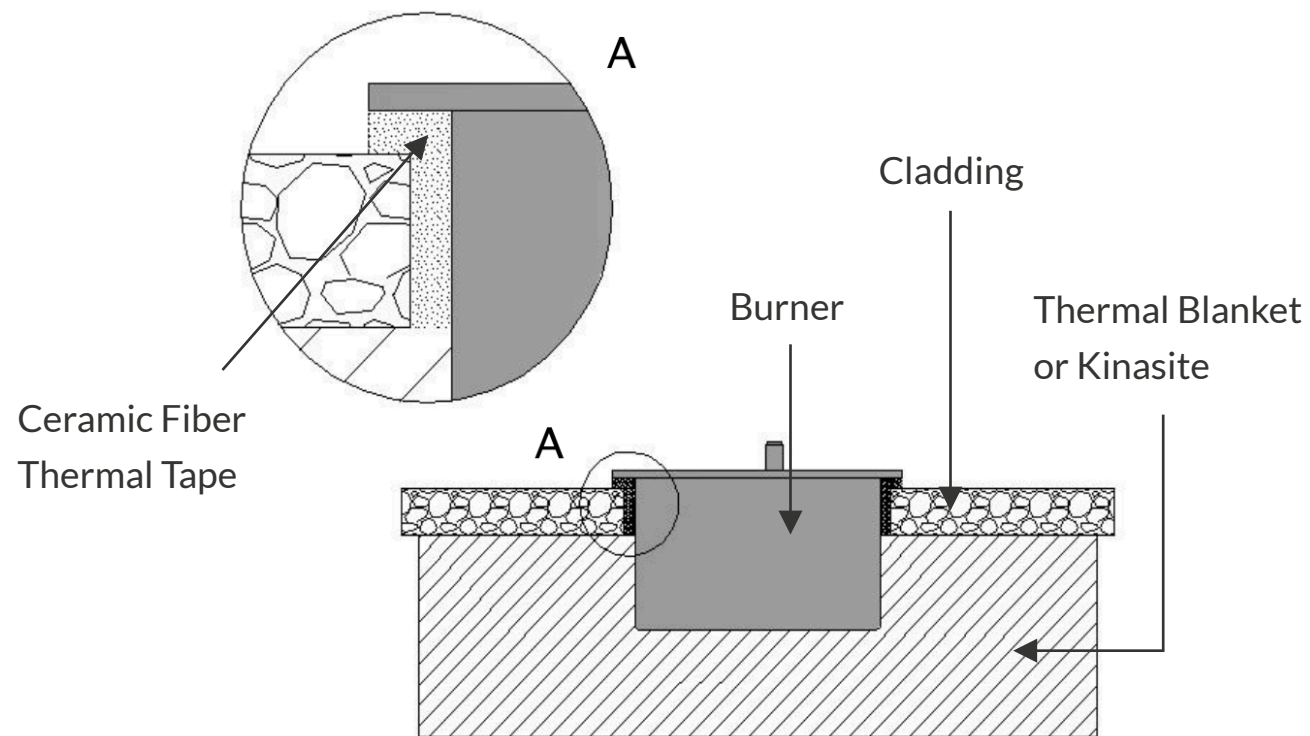
In case of a fire, use a chemical powder extinguisher. Never extinguish the fire with water.

### 3. BURNER INSTALLATION

---

If you purchased only the burner kit for installation in a specific niche, we recommend hiring a professional such as an Architect or Engineer. The metal casing of the burner heats up, even though there is internal insulation. Ideally, use refractory materials for constructing the base where the burner will be installed, typically made of stone (marble or granite).

Some types of stone handle heat well, while others are more delicate and may suffer damage from heating. To prevent damage, we recommend using ceramic tape on the edge of the opening where the burner flange contacts the stone.



Note: The finishes used can vary. Common options include stone, wood, tempered glass or ceramic, stainless steel, among others, as long as they can withstand temperatures of approximately 400°C, or have insulation with special materials to resist such temperatures (as described below).

#### 3.1 INSULATION MATERIALS

---

Here are some types of materials used for this application, available at construction stores or specialized heating system shops. All these materials have similar characteristics: high lightness, mechanical and chemical resistance, durability, and high thermal insulation coefficient, withstanding up to 1,260°C.

The main difference between them is the material pattern.



Ceramic Fiber Tape: A type of mesh with ceramic fiber wires, providing good mechanical resistance.

Ceramic Fiber Blanket: Flexible fibers interwoven to form a lightweight blanket, suitable for hard-to-reach areas.







Expanded clay in the form of ceramic beads with an internal structure made of ceramic foam with micropores and a rigid, resistant outer shell.

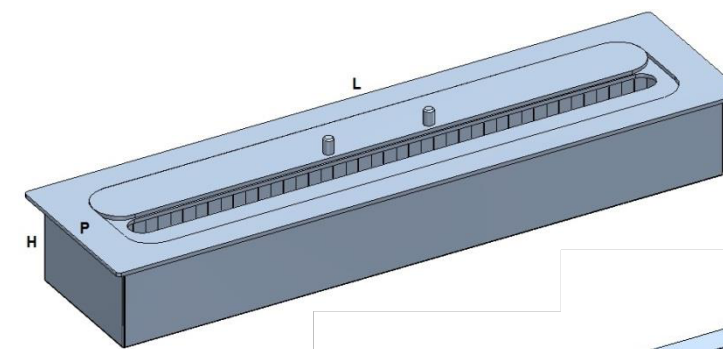
SB Churrasqueiras is not responsible for the installation of the kit.

## 4. DIMENSIONS

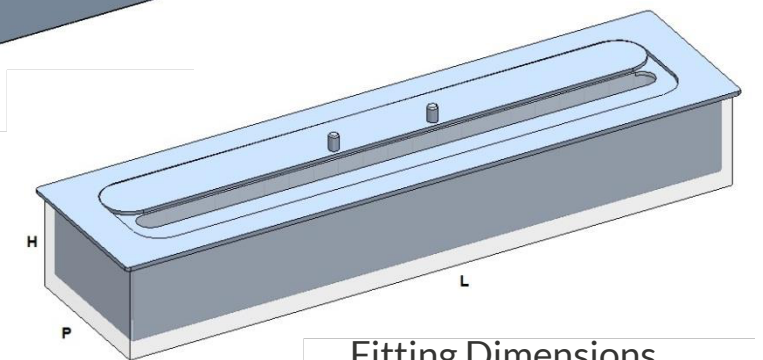
### 4.1 BURNER DIMENSIONS

Typically, fireplace designs include an "air box" in the niche where the burner will be installed. We recommend using thermal insulators, such as ceramic blanket or cinasita, in this air box to prevent heat transfer.

Burner Size	External Dimensions of the Burner	Fitting Dimensions
50cm	W54 x D18,5 x H6,5 cm	W49 x D12 x H8 cm
70cm	W74 x D18,5 x H6,5 cm	W69 x D12 x H8 cm
90cm	W94 x D18,5 x H6,5 cm	W89 x D12 x H8 cm



External Dimensions



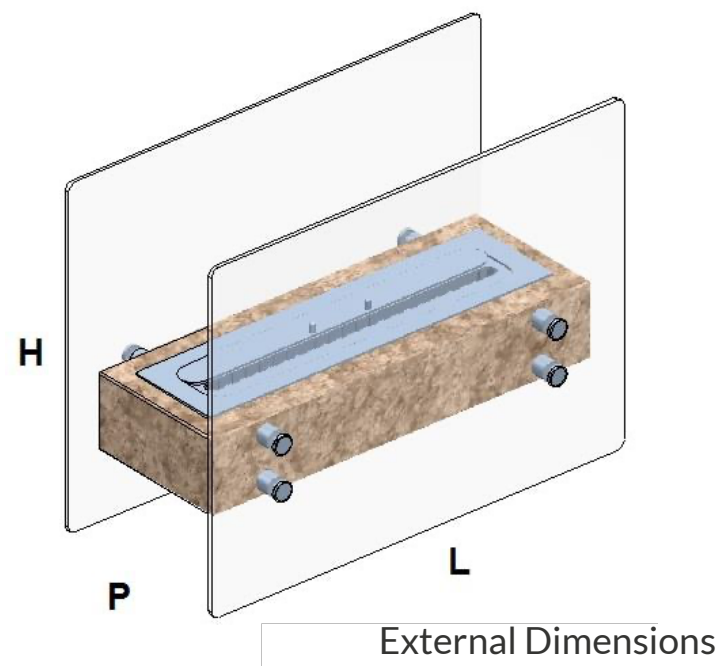
Fitting Dimensions

## 4.2 PORTABLE FIREPLACE DIMENSIONS

Portable Fireplaces do not require any installation; simply remove them from the packaging, fit the burner and the glass panels into the specified slots, and place them in the desired location.

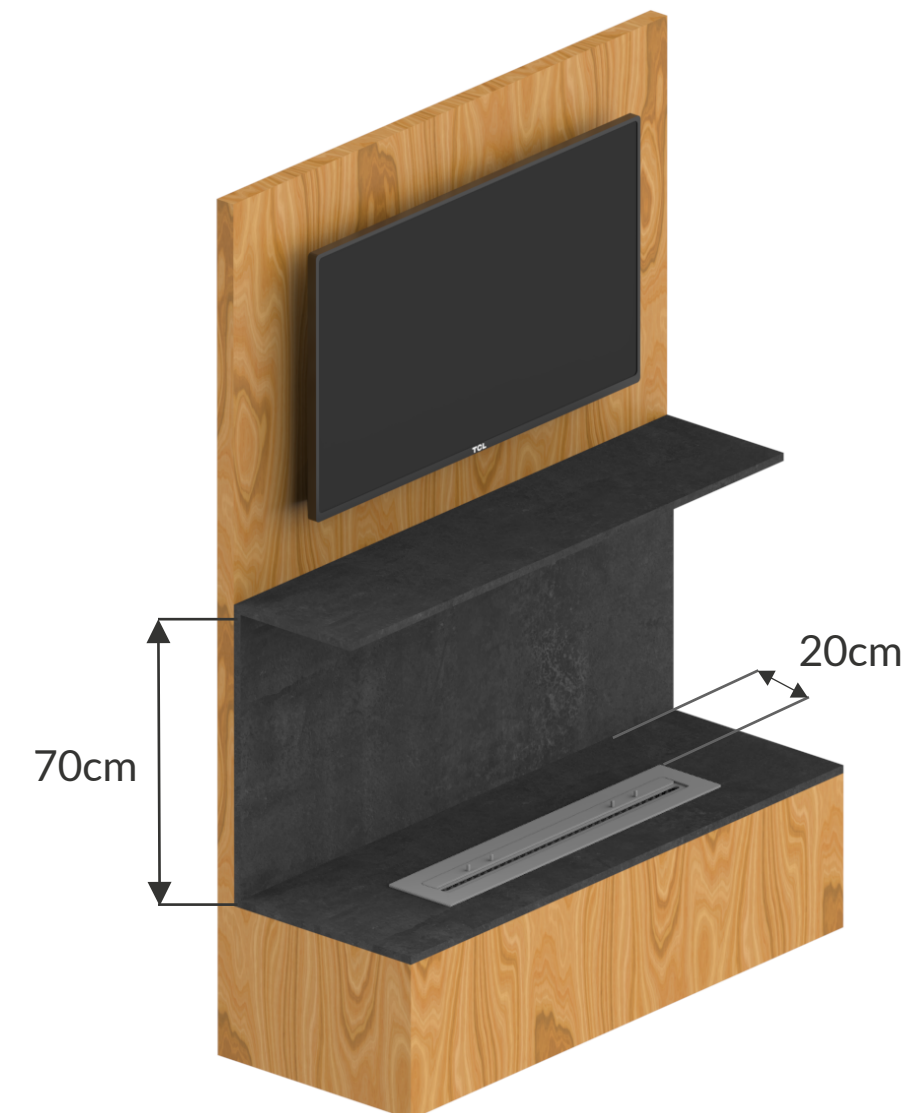
They can be used indoors, such as in living rooms, bedrooms, offices, stores, showrooms (as long as there is adequate ventilation to provide oxygen renewal), and outdoors, like on balconies and gardens.

Burner Size	External Dimensions
50cm	W60 x D30 x H40 cm



## 4.3 SAFETY MEASURES

The flames can reach maximum heights of 30 cm above the burner, creating a hot air layer above it. This can affect objects directly above it, so we recommend maintaining a 70 cm clearance above the top of the burner. As for wall clearance, a minimum of 20 cm is advisable, and it is also recommended to use refractory material at the back of the fireplace.





## 5. CLEANING AND MAINTENANCE

---

Your burner should be cleaned regularly. Use a soft cloth with water and neutral detergent. Never immerse your burner in water, as the internal insulation material will get wet, causing the equipment to malfunction.

With use, the burner may develop a golden color near the flame opening, which is completely normal due to the heat emitted by the fire. This coloration is not rust and does not affect the proper functioning of your equipment.

### ATTENTION!

Never use chemical products, steel wool, or abrasive sponges for cleaning, as they can cause scratches and permanent stains on the equipment.

**SB CHURRASQUEIRAS**  
881, Assis Brasil street  
Bento Gonçalves city  
Rio Grande do Sul / Brazil  
Telephone +55 54 3701.2154  
[english.sbchurrasqueiras.com.br](http://english.sbchurrasqueiras.com.br)

## 6. PRODUCT ADVANTAGES

---

The Ecological Fireplace gets its name because it uses ethanol-based alcohol, generated from renewable resources. It does not produce smoke or soot, eliminating the need for a chimney. Another benefit of an ethanol fireplace is that it does not leave any odor while burning the fuel.

The ecological fireplace is ideal for those who enjoy real flames, want to avoid an increase in their energy bill, and seek a practical, portable, and sophisticated way to heat their space.