



MOTORIZED ELEVATING STAKE GRILL LIFTGRILL

USER MANUAL

SB
CHURRASQUEIRAS

881, Assis Brasil street
Bento Gonçalves city
Rio Grande do Sul / Brazil
Telephone +55 54 3701.2154
english.sbchurrasqueiras.com.br

PRESENTATION

Congratulations on your recent acquisition of Liftgrill, manufactured in Brazil by SB Automação Doméstica Eireli.

Liftgrill features patented characteristics that offer exclusivity to SB Churrasqueiras' customers.

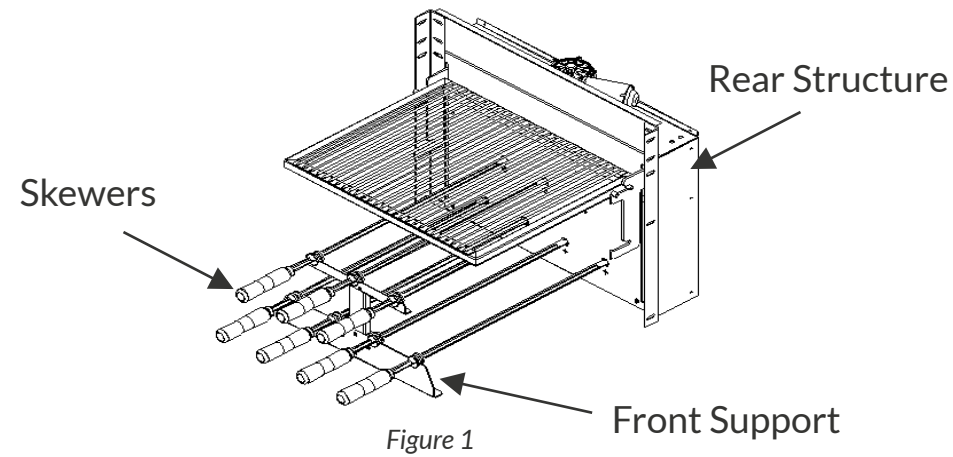
SB Churrasqueiras offers a complete line of rotating grills for both residential and commercial use, as well as an extensive range of essential accessories to enhance your culinary experience.

Additionally, SB provides special projects tailored to each client's specific needs, utilizing advanced technologies such as laser cutting, resulting in products of excellent quality and finish.

We are committed to ensuring that your experience with our products is unique and rewarding.

INSTALLATION

1. Your Liftgrill consists of Skewers, Front Support, and Rear Structure, as identified in Figure 1 below.



2. The Rear Structure must be the first item installed. For its installation, the grill must have a rear wall with a thickness of 13 cm, level with the front masonry wall, which will serve as support, as shown in Figure 2.

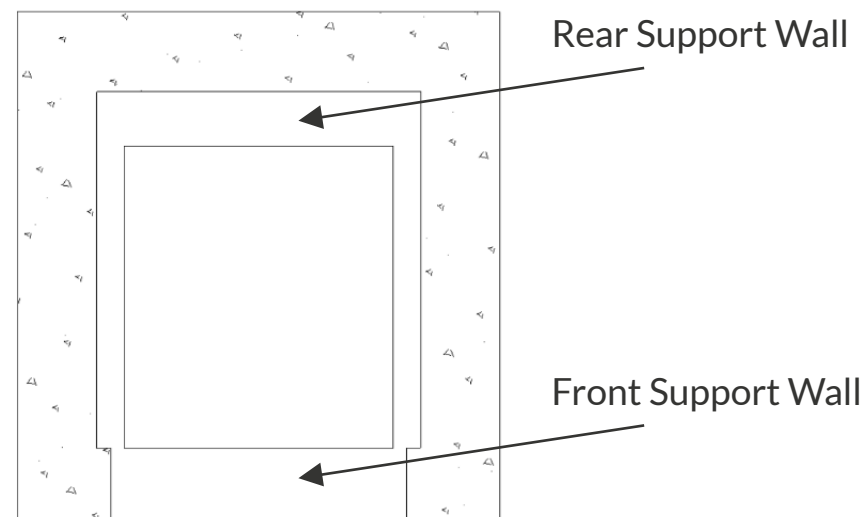
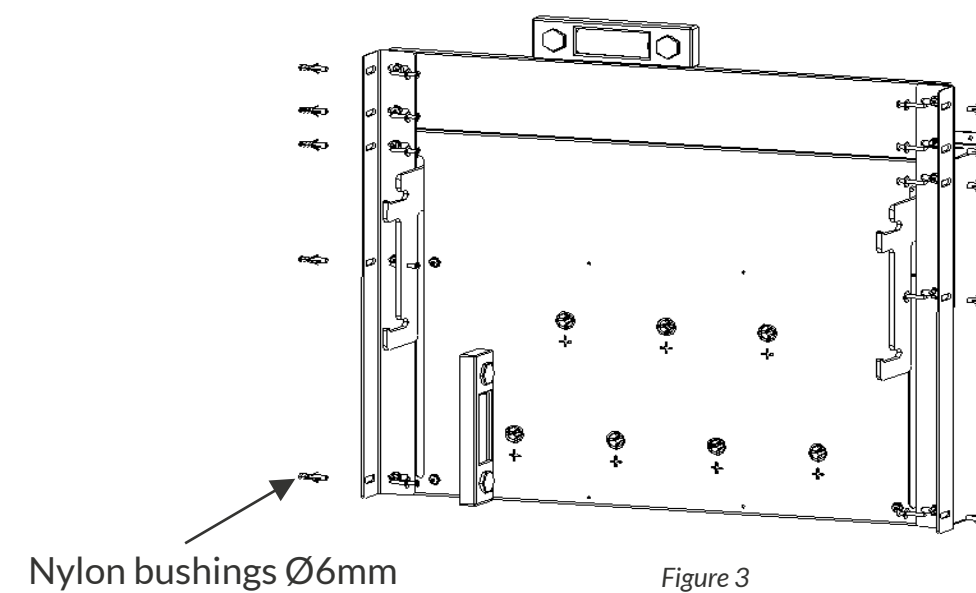


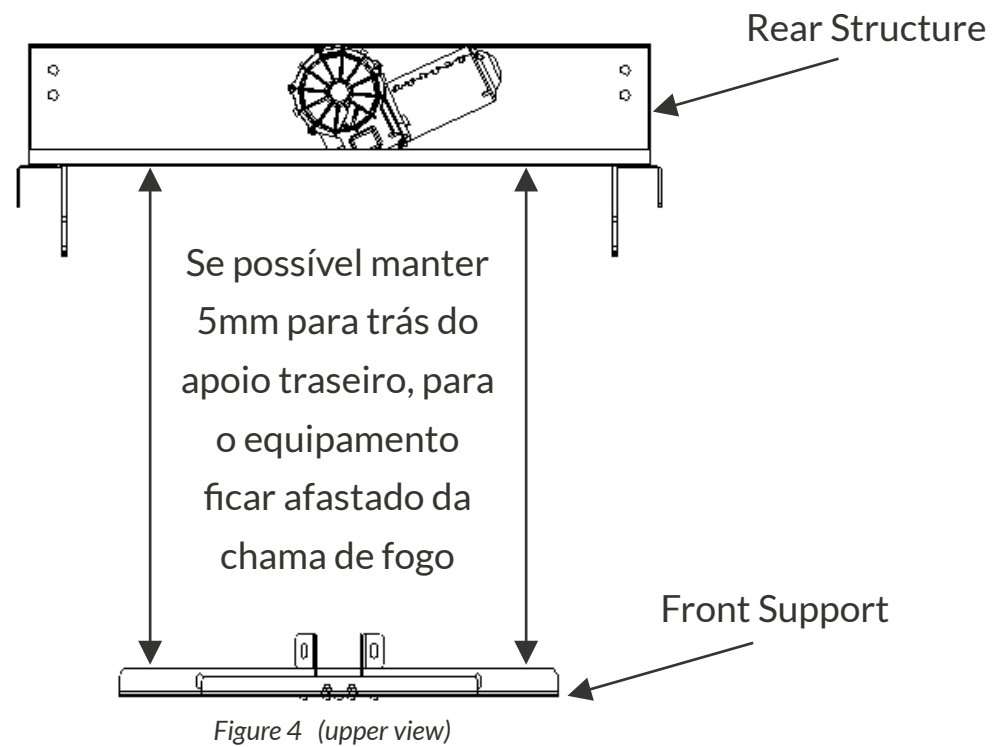
Figure 2 (upper view)

3. With this wall ready, follow these steps:

a) Support the Rear Structure on the rear wall and, using a level, mark the center of the holes on the masonry. Remove the Rear Structure and drill the four holes on the side with a $\text{Ø}6\text{mm}$ Wídea (Concrete) drill bit. Next, insert the included nylon anchors, position the Rear Structure in place, connect the wires according to the type of controller (use high-temperature wire), level the Rear Structure, and secure it with the screws and washers, as shown in Figure 3. Be careful to avoid damaging the electrical wiring during installation.



b) When installing the Front Support, responsible for holding the skewers, position it so that it is aligned and parallel with the rear skewer slots, centering it on the Front Wall of your grill to prevent the skewers from being off-center. See Figure 4.



c) Mark the center of the Front Support and drill using a $\text{Ø}6\text{mm}$ Wídea (Concrete) drill bit. Secure it with the included anchors and screws as shown in Figure 5.

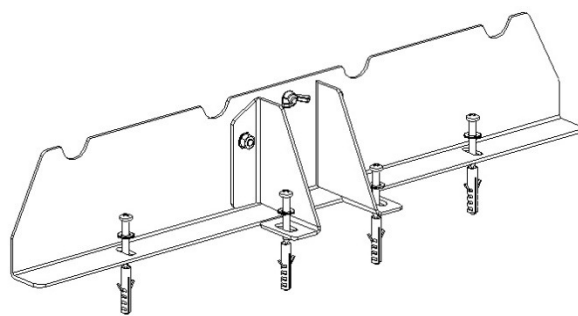


Figure 5

d) After securing the parts, adjust the Pulley on the skewers. The Pulley should be loosened and its groove positioned in the center of the Front Support (Figure 6). Then, retighten the screw that secures the Pulley to the skewer, ensuring it is firm, preventing the skewer from disengaging from the Rear Structure and falling into the fire.

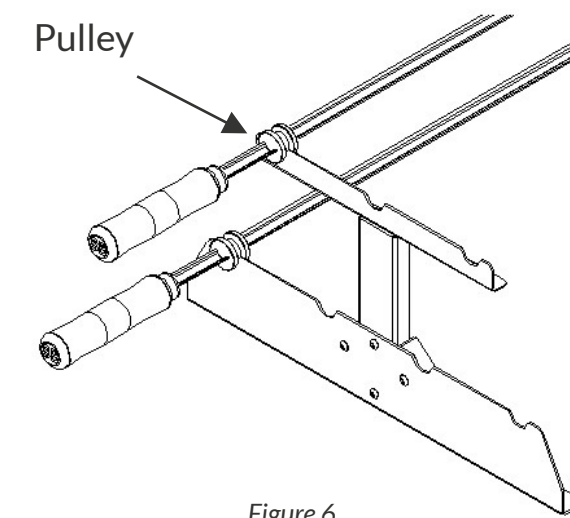


Figure 6

MOVING PARTS

The moving parts of your grill are located at the lower front part of the product. They can be easily removed to facilitate cleaning of the grill, as well as for charcoal replenishment and ash removal.

To remove the moving parts, first remove the skewers from the grill, then use your hands to loosen the Wing Nut and move the movable part of the Front Support vertically. See Figure 7.

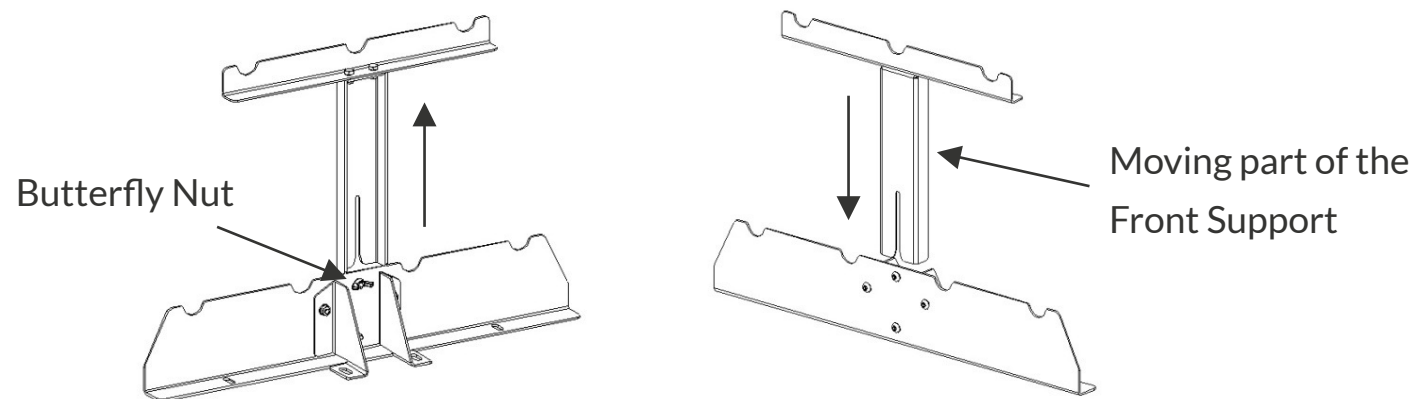


Figure 7

Before handling the Movable Devices of your grill, make sure that the skewers are not positioned over them to avoid damaging the supports or twisting the skewer.

HOW TO IMMOBILIZE SKEWERS

Your Rotating Grill has small grooves located in the Rear Structure, just below the drive shaft (Figure 8), which allow any skewer to remain stationary while the others rotate.

To keep a skewer stationary, remove it from the drive shaft that keeps it spinning and position the skewer in the cross groove located just below the drive shaft.

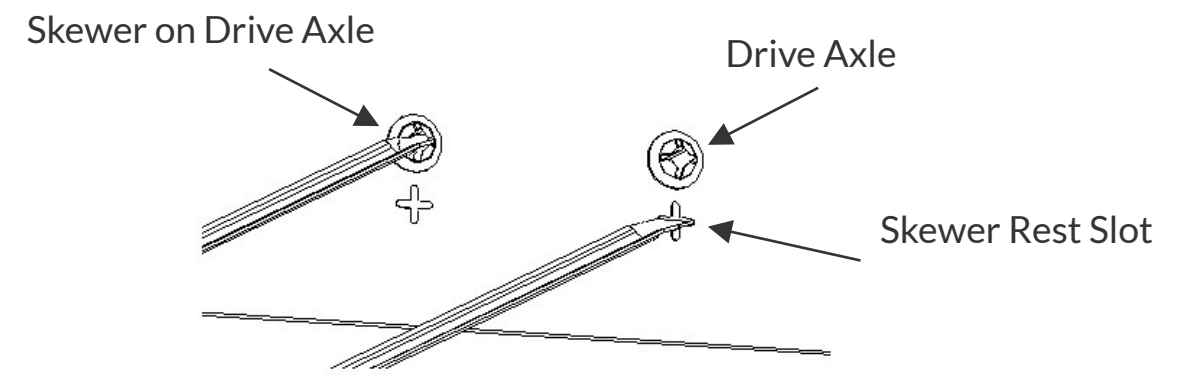


Figure 8

HANDLING SKEWERS

Your Elegance Grill allows you to move skewers between the upper and lower levels of the Front Support without needing to remove them from the inside of the grill (Figure 9), preventing grease drips on the floor, as occurs with conventional grills.

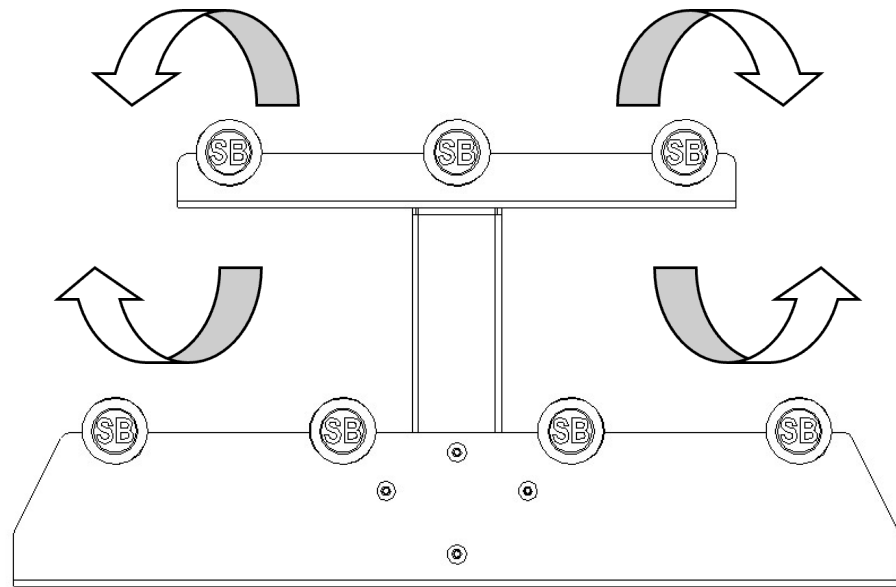


Figure 9

CLEANING AND MAINTENANCE

- › Clean your SB Grill only with a clean, semi-damp cloth and neutral detergent, or use the stainless steel cleaning product sold by SB Churrasqueiras.
- › The cloth should be wiped in the same direction as the brushed stainless steel, avoiding circular motions.
- › Never use any type of sponge or steel brush to clean the grill. Do not use chemical or abrasive products, which can permanently damage the appearance and finish of the grill.
- › **Use only charcoal for the fire.** Do not burn wood, charcoal bags, or any other material inside the grill.
- › Whenever the grill is not in use, disconnect it from the power supply (circuit breaker) to avoid damage caused by power surges (lightning) and power outages.

SB CHURRASQUEIRAS

881, Assis Brasil street

Bento Gonçalves city

Rio Grande do Sul / Brazil

Telephone +55 54 3701.2154

english.sbchurrasqueiras.com.br